

# QuickStart LX610e

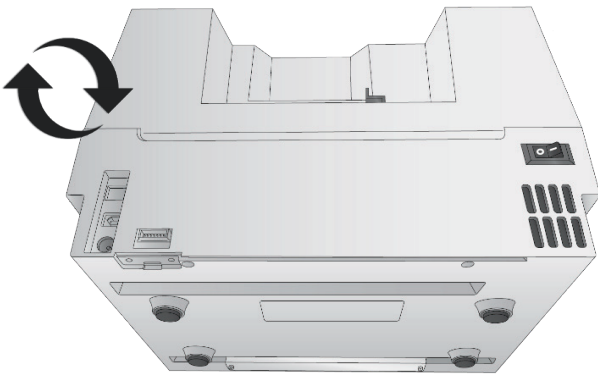
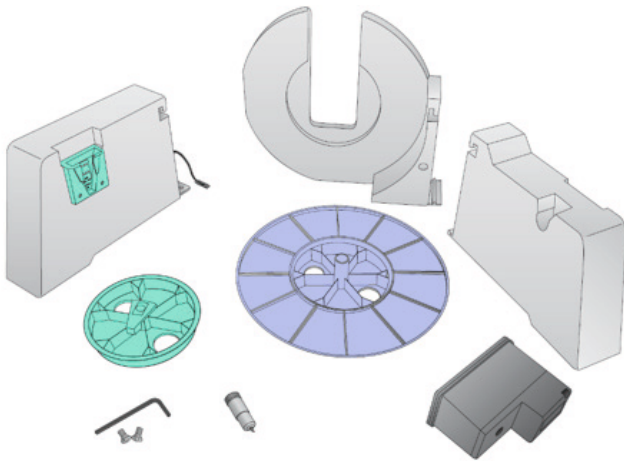


Run Software Installer  
Before Connecting USB

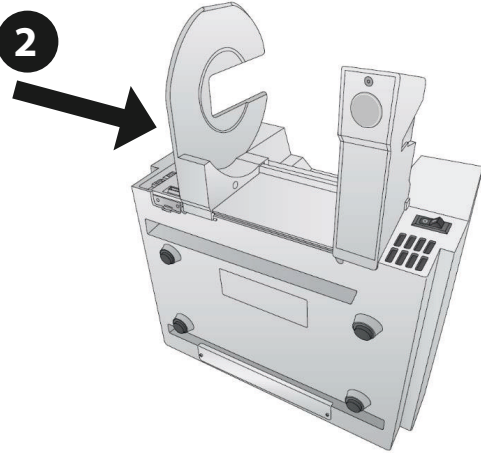


Download the latest printer driver  
here [dtm-print.eu/download](http://dtm-print.eu/download)

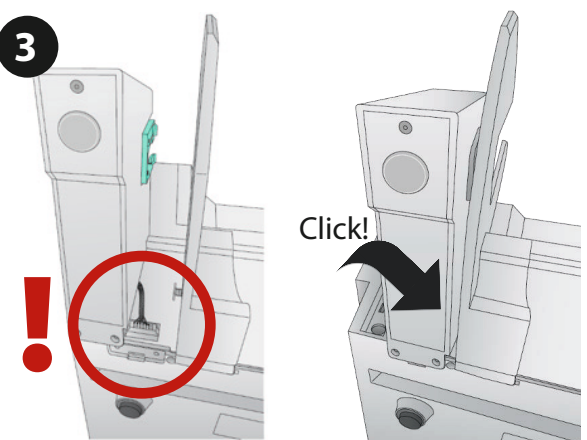
## Unboxing



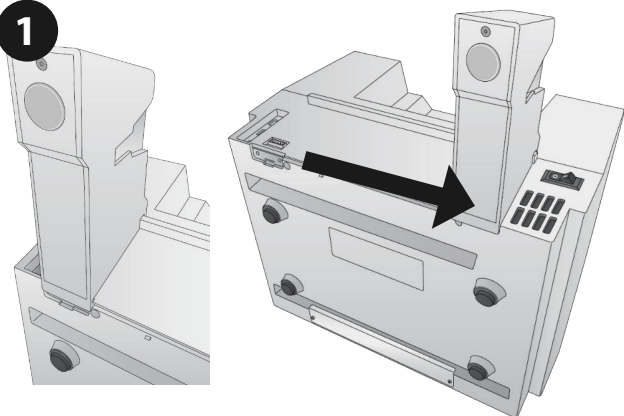
2



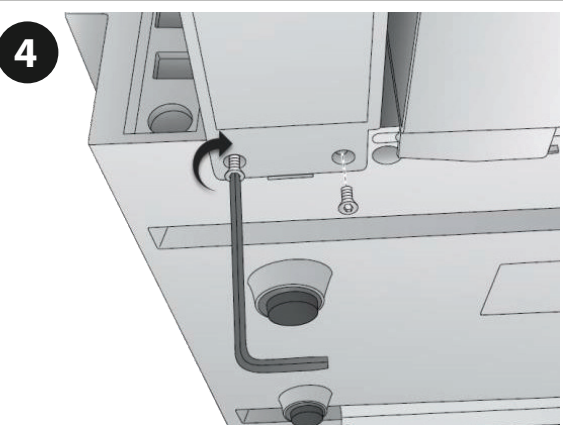
3



1



4



# QuickStart LX610e



Run Software Installer  
Before Connecting USB



Download the latest printer driver  
here [dtm-print.eu/download](http://dtm-print.eu/download)

